

WMS

Accessories

Auxiliary Switch



Auxiliary Switch

Alarm Switch



Alarm Switch

Undervoltage Release



Undervoltage Release

Padlock Accessories



WPKEY

WPLK

Table 45-336. Accessories

Description	Module Width	Catalog Number	Price U.S. \$
Auxiliary Switch			
Number of Contacts: 1A/1B	1/2	WAX1A1B	
Alarm Switch			
Number of Contacts: 1A/1B	1/2	WAL1A1B	
Shunt Trip			
Voltage: 110/220 Vac	1	WST220A	
240/415 Vac	1	WST415A	
12/48 Vdc	1	WST48D	
Undervoltage Release			
Voltage: 240 Vac	1	WUVR240A	
48 Vdc	1	WUVR48D	
24 Vdc	1	WUVR24D	
ID Labels			
Identification Labels	—	WIDL	
Padlock Accessories			
Padlocking Attachment	—	WPLK	
Padlock Key	—	WPKEY	
Lockoff			
Lockoff for 1 – 4-Pole Supplementary Protector	—	WAMPLK	

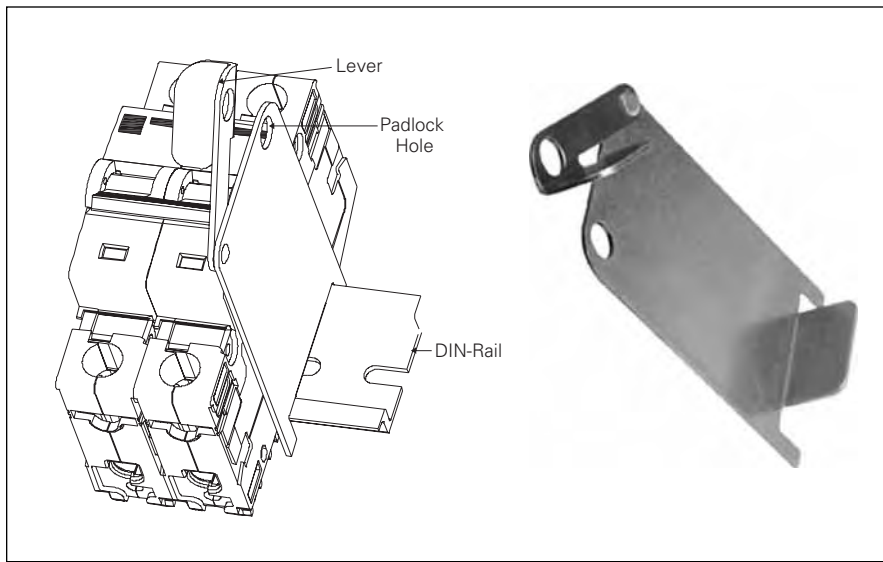


Figure 45-45. WMS Lockoff — WAMPLK

45

Discount Symbol **SP-1**

Accessories

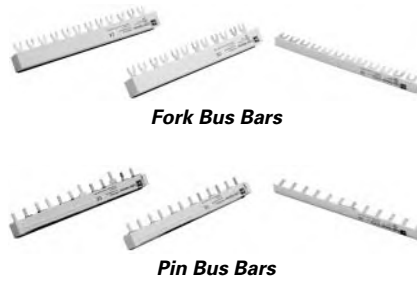


Table 45-337. Bus Bar Combs

Phases	Configuration	Length	Actual Length (mm)	Number of Devices	Bus Bar Catalog Number	Price U.S. \$	End Cap Catalog Number ①	Price U.S. \$
Fork Connection								
1-Phase	Device	Short	210	12 Unit	WBC1F12		Not Required	
	Device	Long	100	57 Unit	WBC1F57		Not Required	
	Device + Aux	Short	315	12 Unit	WBC1F12A		Not Required	
	Device + Aux	Long	1000	37 Unit	WBC1F37A		Not Required	
2-Phase	Device	Short	210	6 Unit	WBC2F6		WBCCAP10UL	
	Device	Long	100	28 Unit	WBC2F28		WBCCAP10UL	
	Device + Aux	Short	255	6 Unit	WBC2F6A		WBCCAP10UL	
	Device + Aux	Long	1000	22 Unit	WBC2F22A		WBCCAP10UL	
3-Phase	Device	Short	210	4 Unit	WBC3F4		WBCCAP10UL	
	Device	Long	106	19 Unit	WBC3F19		WBCCAP10UL	
	Device + Aux	Short	235	4 Unit	WBC3F4A		WBCCAP10UL	
	Device + Aux	Long	1000	16 Unit	WBC3F16A		WBCCAP10UL	

Pin Connection

1-Phase	Device	Short	210	12 Unit	WBC1P12		Not Required	
	Device	Long	100	57 Unit	WBC1P57		Not Required	
	Device + Aux	Short	315	12 Unit	WBC1P12A		Not Required	
	Device + Aux	Long	1000	37 Unit	WBC1P37A		Not Required	
2-Phase	Device	Short	210	6 Unit	WBC2P6		WBCCAP10CE	
	Device	Long	100	28 Unit	WBC2P28		WBCCAP10CE	
	Device + Aux	Short	210	6 Unit	WBC2P6A		WBCCAP10CE	
	Device + Aux	Long	1000	22 Unit	WBC2P22A		WBCCAP10CE	
3-Phase	Device	Short	210	4 Unit	WBC3P4		WBCCAP10CE	
	Device	Long	106	19 Unit	WBC3P19		WBCCAP10CE	
	Device + Aux	Short	235	4 Unit	WBC3P4A		WBCCAP10CE	
	Device + Aux	Long	1000	16 Unit	WBC3P16A		WBCCAP10CE	

① Each 2- and 3-phase bus bar comb is supplied complete with two end caps, additional end caps are available as an accessory.

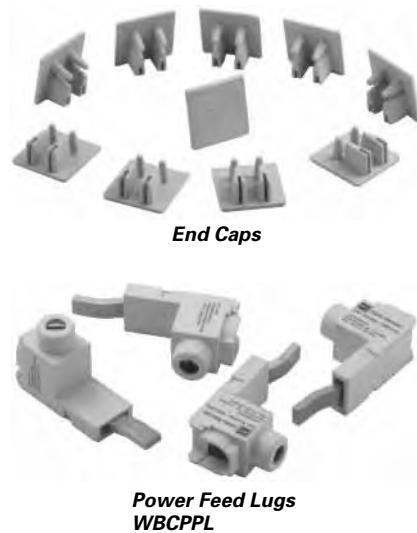


Table 45-338. Bus Bar Accessories

Description	Pack Quantity	Catalog Number	Price U.S. \$
End Caps ②			
For Use with 2- and 3-Phase Fork Bus Bars	10	WBCCAP10UL	
For Use with 2- and 3-Phase Pin Bus Bars	10	WBCCAP10CE	
Power Feed Lugs			
Connection of Oversized Wires to Feed Bus Bar (50 mm ² /10-1 AWG)	4	WBCPPL	
Direct Connection to Feed Fork Bus Bar (35 mm ²)	4	WBCFPL	
Bus Bar Tooth Cap			
Shroud Unused Bus Bar Connection	10	WBCTCAP10	

② Each 2- and 3-phase bus bar comb is supplied complete with two end caps.